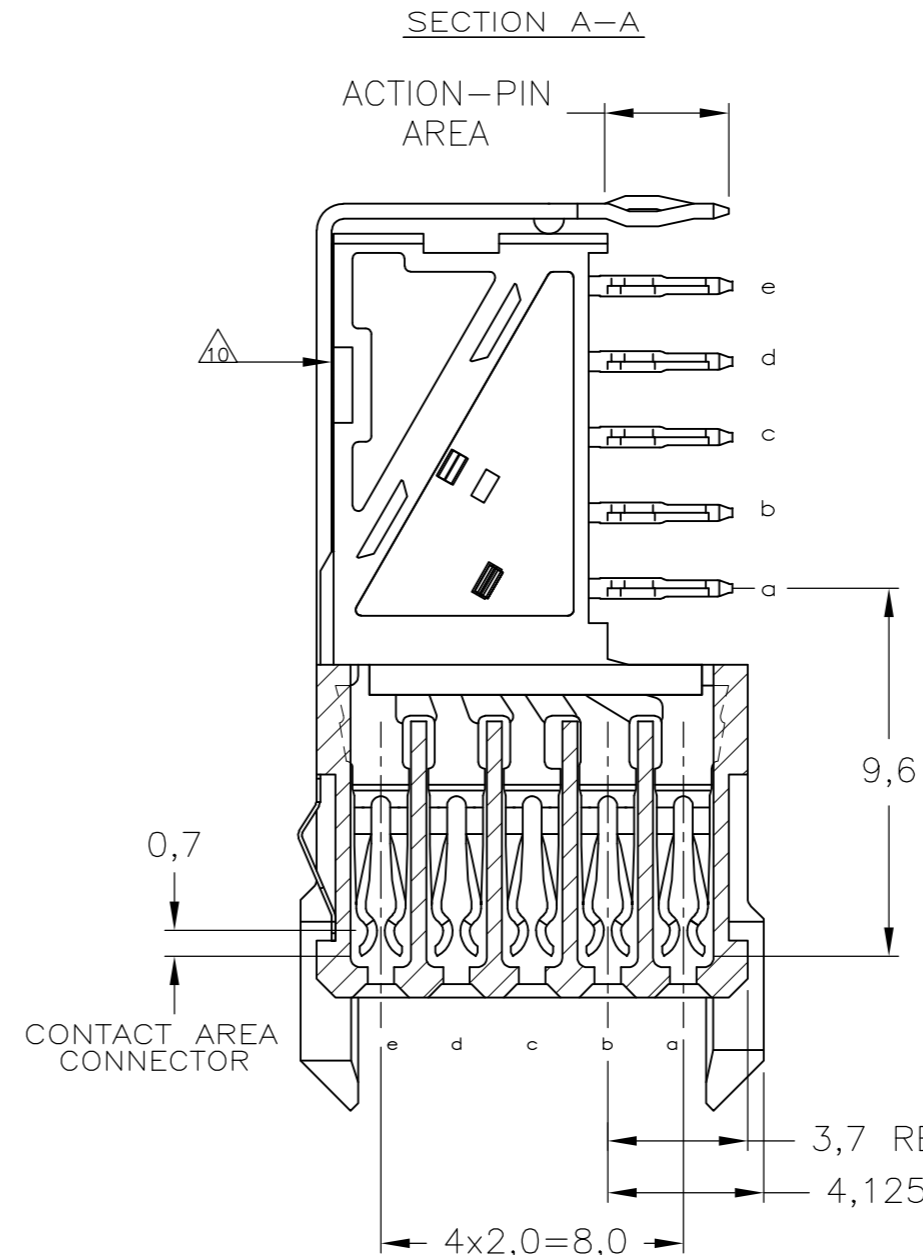
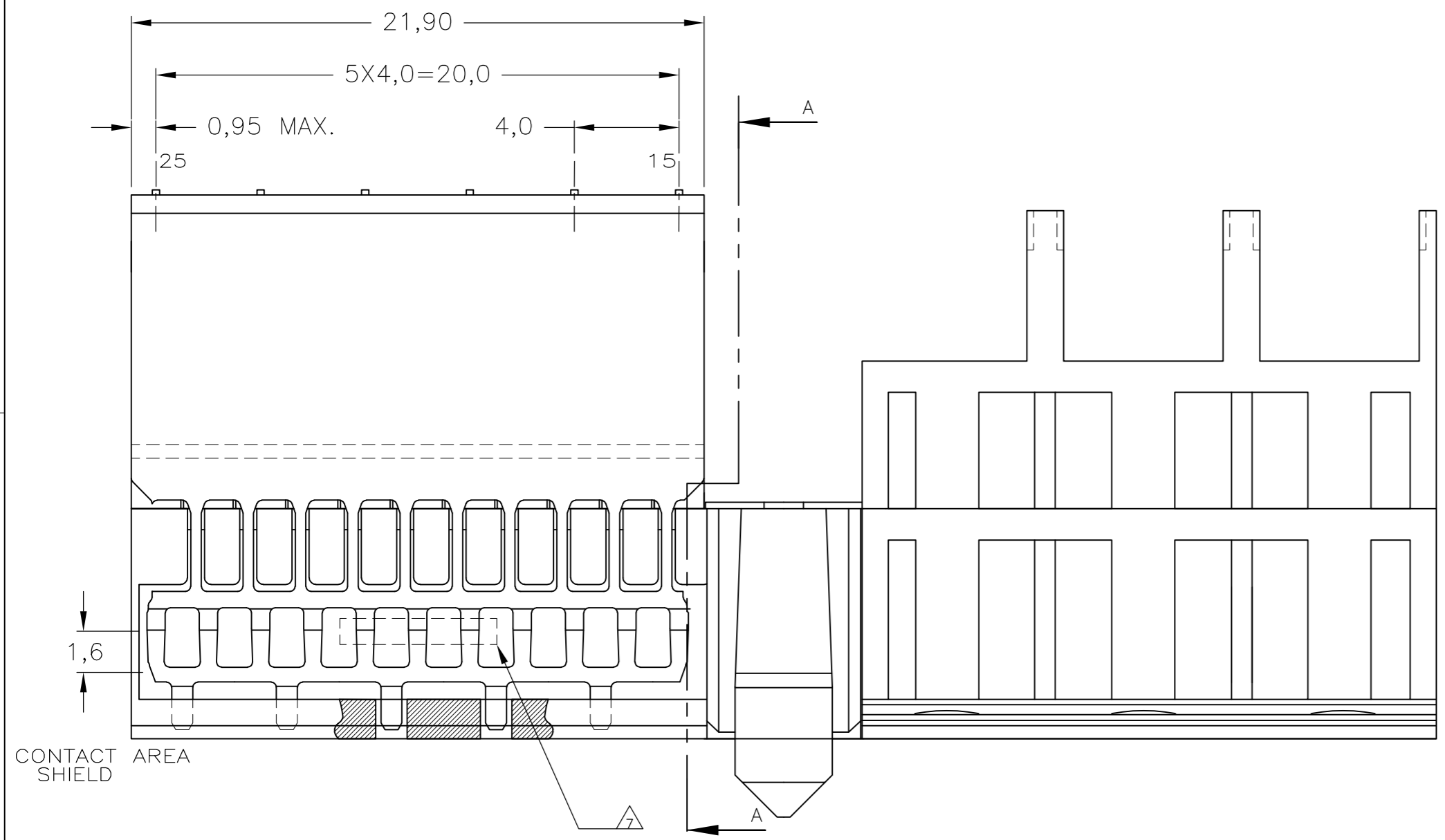
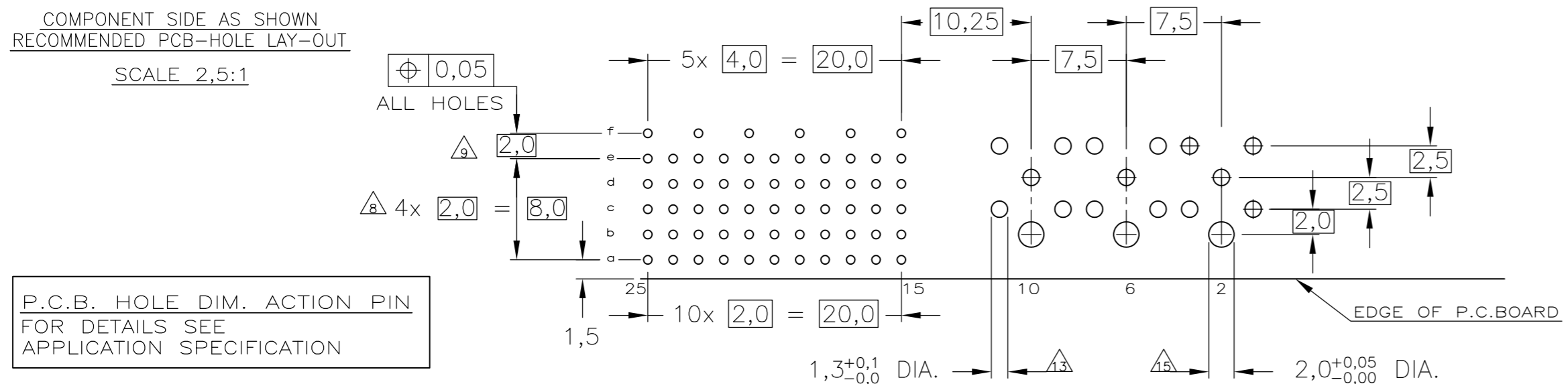
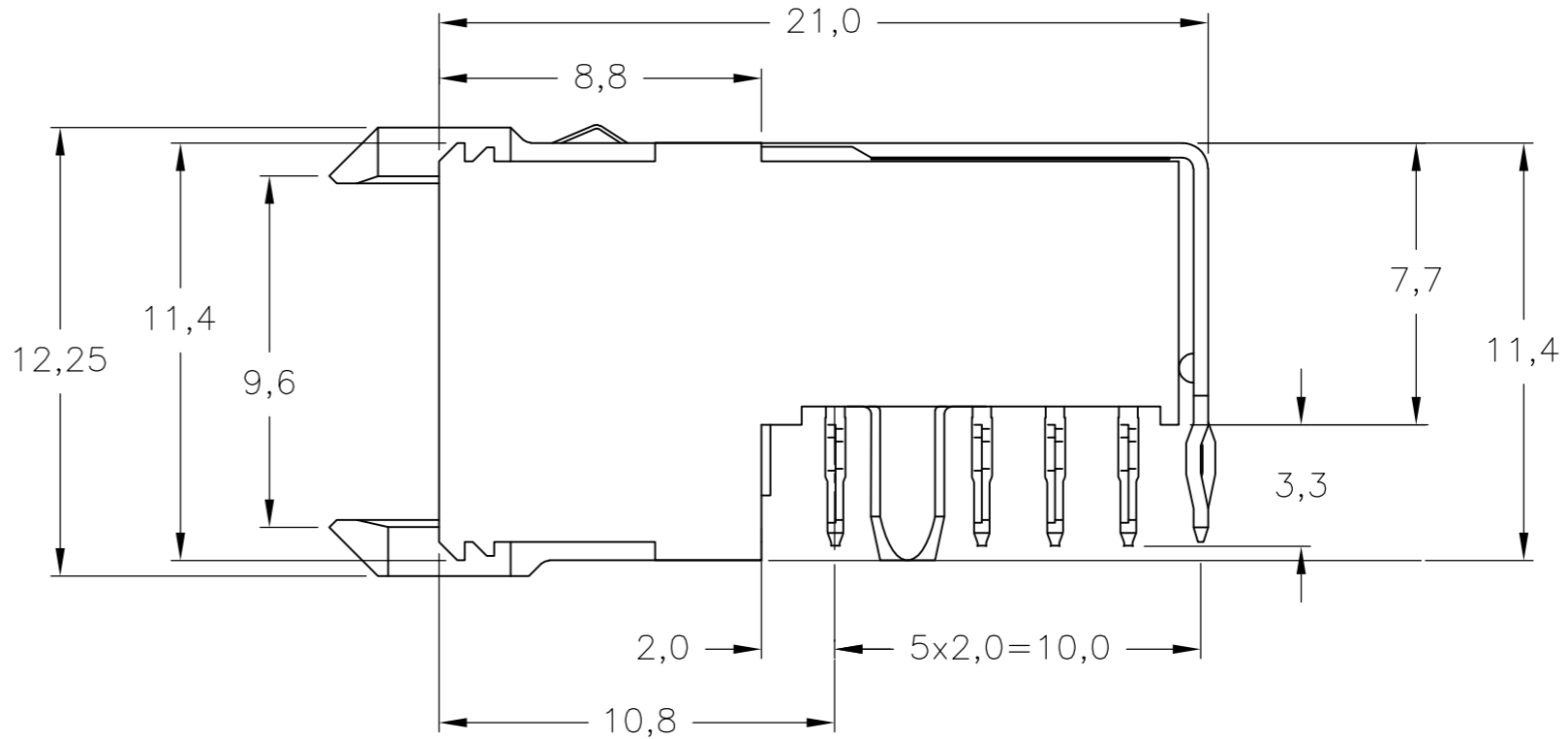
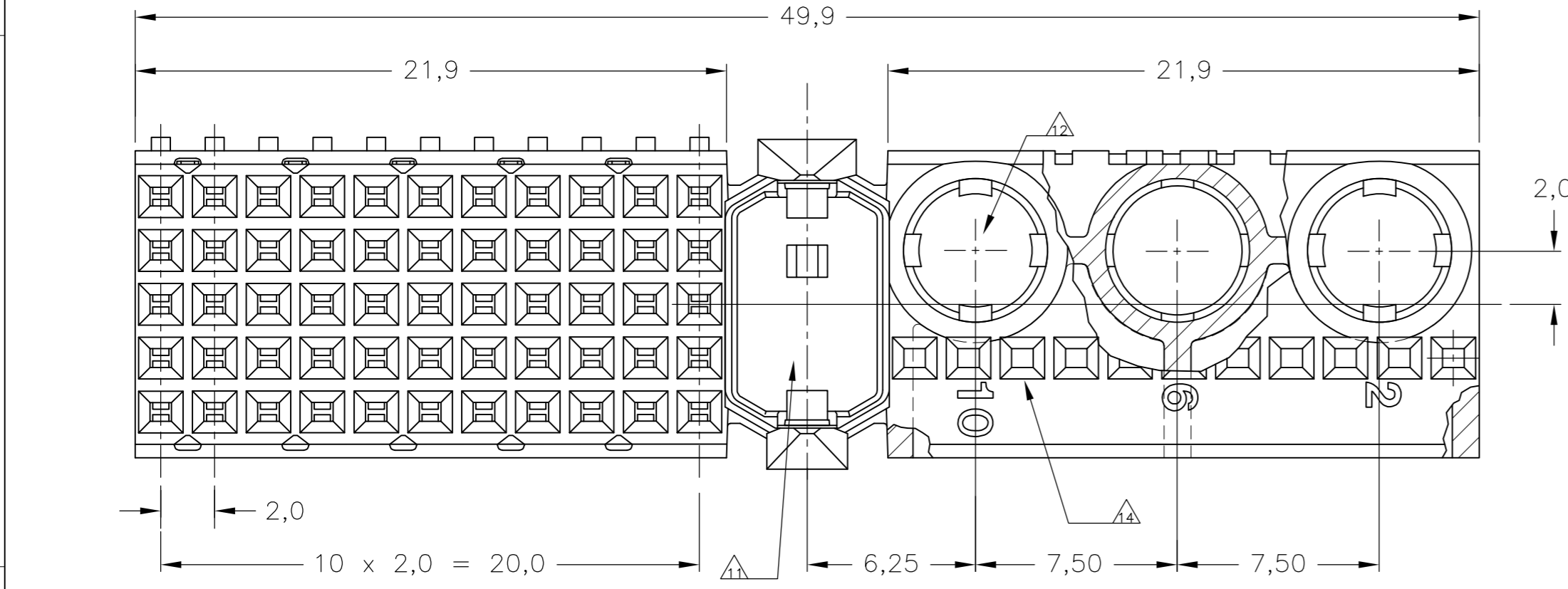


THIS DRAWING IS UNPUBLISHED. RELEASED FOR PUBLICATION
 © COPYRIGHT BY TYCO ELECTRONICS CORPORATION. ALL RIGHTS RESERVED.

LOC	DIST	REVISIONS					
		P	LTR	DESCRIPTION	DATE	DWN	APVD
H	-	B2		ECR-07-030919	21DEC2007	JvH	BM
		C		ECR-10-018652	10SEP10	SW	MQW



- NOTES:
- 1 MATERIAL CONTACTS ; PHOSPHORBRONZE
MATERIAL SHIELDING ; PHOSPHORBRONZE
MATERIAL HOUSING ; GLASSFILLED POLYESTER (GRAY)
UL-RATING 94V0.
 - 2 GENERAL PLATING SPECIFICATION: UNDERPLATING
(ENTIRE CONTACT): 1,27µm NICKEL MIN. AND ACTION
PIN: 0,5µm TIN MIN.
FOR PLATING OF MATING SURFACES SEE APPLICABLE
SPECIFICATION REFERENCE FOR EACH DASH NUMBER.
 - 3 CONFORMS TO ALL TESTING ACCORDING IEC 61076-4-101
PERFORMANCE LEVEL 2.
 - 4 CONNECTOR TESTED AND QUALIFIED AGAINST TELCORDIA GR-1217-CORE
QUALITY LEVEL III, CENTRAL OFFICE APPLICATIONS.
 - 5 CONNECTOR LUBRICATED WITH TELCORDIA GR-1217-CORE APPROVED LUBRICANT.
 - 6 PLATING SHIELD :
CONTACT AREA : 0,76µm Au MIN.
ACTION PIN : 0,5µm Sn MIN.
REMAINDER : Ni
 - 7 ASSEMBLY PRINTED WITH P/N AND DATE CODE
THE MARKING CAN APPEAR ON THE FRONT SIDE
OR BACK SIDE
 - 8 HOLE PATTERN FOR FEMALE CONNECTOR TYPE M
55 PLATED-THROUGH HOLES AT 2x2mm SQUARE GRID
ROW "f" 6 PLATED THROUGH HOLES FOR UPPERSHIELD
 - 9 SHIELD MOUNTED ON CONNECTOR WITH DOUBLE SIDED
ADHESIVE TAPE OR ADHESIVE
 - 10 AREA RESERVED FOR KEYING PART (BASIC P.N. 100526)
 - 11 CONTACT CAVITIES (3x) SUITABLE FOR 4,8 DIA. HIGH CURRENT,
HIGH FREQUENCY OR FIBRE OPTIC CONTACTS AS PER DIN 41626
(SEE ALSO NOTE 13).
 - 12 1,3 DIA. PLATED-THROUGH HOLES (15x) CAN BE OMITTED
IF SPECIAL CONTACTS WITH CABLE CONNECTION OR FIBRE
OPTIC CONTACTS ARE USED.
 - 13 THIS ROW OF 11 CAVITIES (B1 TO B11) FOR
CONNECTOR ASSEMBLY PURPOSE ONLY.
 - 14 NOT PLATED-THROUGH HOLES (3x).
 - 15 FITS WITH LOWERSHIELD BASIC P/N 5352112



FINISH		MATERIAL		PARTNUMBER	
2 4 5 6		1		5352177-9	
2 3 6		1		5352177-1	

THIS DRAWING IS A CONTROLLED DOCUMENT.		DWN K.N.KIRAN 20AUG2004	Tyco Electronics Corporation 's-Hertogenbosch,5222AR-32			
DIMENSIONS: mm		CHK B.MOOIJ 27OCT2004	NAME Z-PACK 2mm HM TYPE M (55 POS.) PRE-SHIELDED RECEPTACLE			
TOLERANCES UNLESS OTHERWISE SPECIFIED: ±0.2		APVD B.MOOIJ 27OCT2004	NAME PRE-SHIELDED RECEPTACLE			
6 PLG ±		PRODUCT SPEC 108-19082	SIZE A2			
1 PLG ±		APPLICATION SPEC 114-19029	CAGE CODE 00779			
2 PLG ±		WEIGHT -	DRAWING NO C=5352177			
3 PLG ±		RESTRICTED TO -				
4 PLG ±		SCALE 5:1				
ANGLES ±		SHEET 1 OF 1				
FINISH		REV C				
MATERIAL		CUSTOMER DRAWING				